

IP BOX Camera

2M, H.264

SUB-20IP

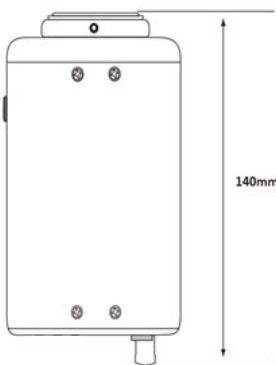
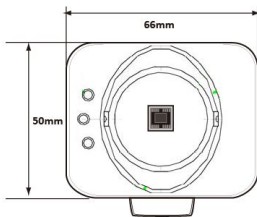
◆ Picture



◆ Feature

- 1/2.8" Sony 2.43M Pixels Exmor CMOS
- High Performance Dual Streaming (30fps live view@1080P)
- Low up to 0.01Lux, Noise Reduction (2D/3D),
- C/CS Mount Lens Support(DC Auto Iris)
- Motion Detection (4), Privacy Masking (8), Digital Zoom (16x)
- Defog, DWDR, HLC, LDC,
- ONVIF, DDNS, DHCP, CMS, Web Browser, Smart Phone
- POE

◆ Dimensions



Unit: mm

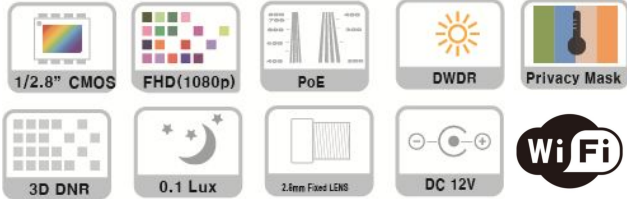
◆ Specifications

MODEL	SUB-20IP
Video	
Image Sensor	1/2.8" 2.43M Sony Exmor CMOS
Scan mode	Progressive Scan
Number of effective pixels	1984(H) × 1225 (V), 2.43M
Minimum illumination	0.01Lux(F1.2, 50IRE)
Day & Night	Day & Night with ICR (TDN)
S/N Ratio	More than 54dB (AGC Off)
Lens	
Lens	C/CS Mount Lens
Iris	DC Auto Iris
Network	
Video Compression	H.264, MJPEG
H.264 Profile	Baseline/Main/High Profile
Ethernet	RJ-45(10/100BASE-T)
Frame Rate	1920x1080(Full-HD), 1280x1024(SXGA), 1280x720(HD), 704x480(4CIF/NT), 704x576(4CIF/PAL), 640x480(VGA), 352x288(CIF), 320x240(QVGA)
Video Frame Rate	Up to 30fps@1920x1080p
Bitrate Control	CBR or VBR(100K~12Mbps)
Audio	Audio In(1), Audio Out(1),8 bit PCM (G711 u-law) 8Khz, Mono
Client Viewer	Web viewer, Max-i CMS
Max. User Connection	10 Users
Network Protocol	TCP/IP, UDP, IPv4/v6, HTTP, HTTPS, FTP, UPnP, RTP, RTSP, RTCP, DHCP, ARP, Zeroconf, PPPoE, Onvif
Function	
Auto White Balance Mode	ATW-Indoor/Outdoor, Shade, Clear sky, Fluorescent light, Light bulb, Flame, Manual
Auto Exposure Mode	Automatic (Priority: Frame rate/Low noise), Manual
Gain Control	Automatic, Manual: Min. 1.2dB ~ Max. 54dB, Default 1.2dB
DNR	Off / Level Setting
Back Light	HLC, BLC, DWDR(ATR-EX)
Defog/LDC/Mirror/Flip	On/ Off
Privacy / Motion	8 Zones / 4 Zone
Alarm	1in/ 1out
Environment	
Operating Humidity	30 % ~ 90 % RH
Operating Temp.	- 10°C to 60°(-14°~140°F)
Electrical	
Power Consumption	Max 3.5W
Power Supply	DC12V±10, or PoE
Mechanical	
Construction	Aluminum Body, Die Casting Front and Rear
Dimension	66(H)mmx50mm(W)x140mm(L)
Weight	About 0.4Kg

IP WiFi DOME CAMERA

1080p

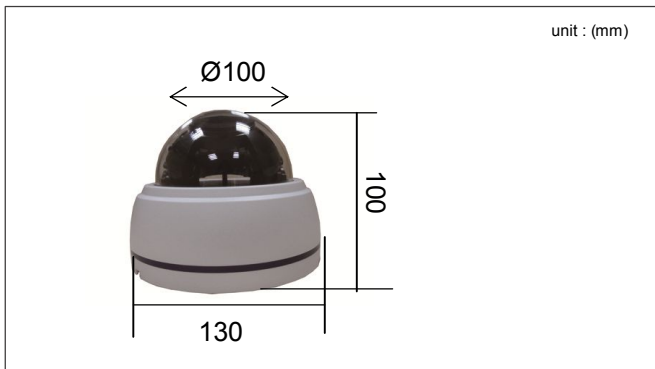
- 1/2.8" Sony IMX322 CMOS Sensor
- FHD Resolution : 1080p/30fps(60Hz)
- DWDR (Digital Wide Dynamic Range)
- 3D DNR (Digital Noise Reduction:)
- Privacy Mask Function
- Motion Detection
- DC12V (PoE: Option)
- Onvif : 2.4 Protocol
- WiFi:802.11 b/g/n , 2.4GHz



Specifications SUD-20IPW

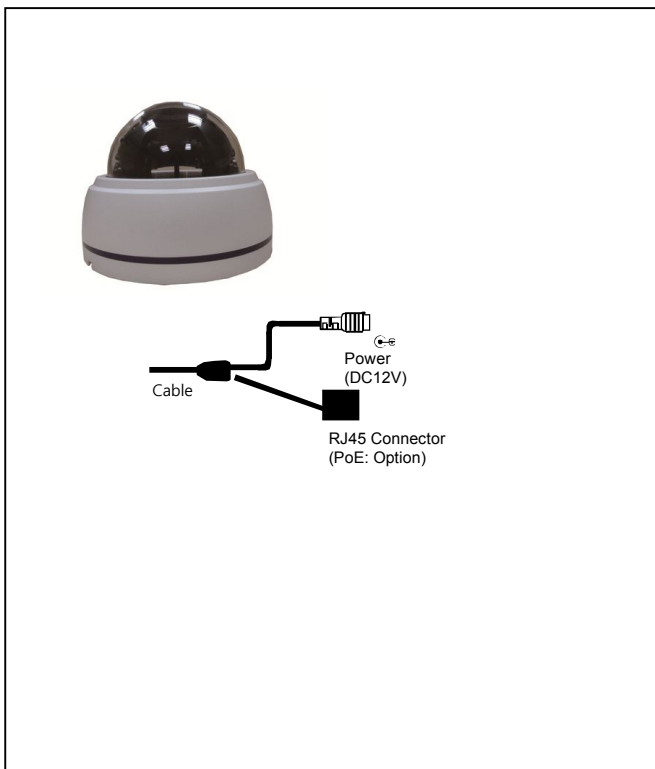
Megapixel	2MP
Processor	Hi3516C
Max. Video Resolution	1920*1080
Image Sensor	1/2.8" SONY IMX322 CMOS sensor
Illumination	Color: 0.01Lux; B/W 0.001Lux, 0lux(IR LEDs on)
S/N Ratio	≥50dB (AGC OFF)
WDR	Adjustable Digital WDR
3DNR	Support
AGC	Support
AWB	Support
Shutter Time	1/25—1/8000s
IR-Cut	Built-in
Lens	2.8

Dimensions



Network Parameter

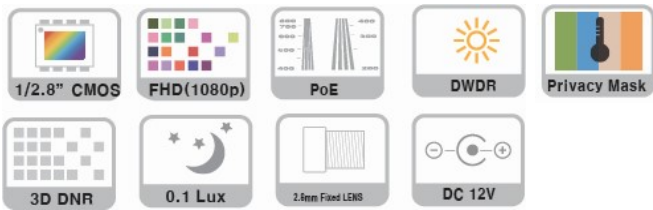
Video Compression	H.264 Main Profile4.0 & Baseline/MJPEG
Dual Stream	Support
Video Definition	Main stream: 1920*1080, 1280*720 Sub stream: 720*576,640*480,640*352,320*240
Video Frame Rate	up to 25/30fps
Video Bitrate	32Kbps ~ 16Mbps
Title OSD	Supports channel name, date, and video stream information overlay; OSD location is adjustable
Motion Detection	Support
E-mail Alarm	Support
Protocol	HTTP, HTTPS, TCP/IP, RTSP, RTP, UDP, RTCP, SMTP, FTP, DHCP, DNS, DDNS, PPPOE, UPNP, NTP
ONVIF	ONVIF 2.4
MAX. Users	Up to Simultaneous 3 Users
Mobile View	Supports Android, Windows Mobile, Symbian, iPhone platforms smartphone monitoring
Center Software	Free CMS
POE	Optional(IEEE 802.3af)
Other Features	Mirror, Flip, LSC, Video Rotation, Antifogging, Antifalse color, AntiTrembling, Privacy Mask



2MP IP IR DOME CAMERA 1080p



- 1/2.8" Sony IMX322 CMOS Sensor
- FHD Resolution : 1080p/30fps(60Hz)
- DWDR (Digital Wide Dynamic Range)
- 3D DNR (Digital Noise Reduction:)
- Privacy Mask Function
- Motion Detection
- LENS: 2.8~12.0mm DC AI
- DC12V (PoE: Option)
- Onvif : 2.4 Protocol



Specifications SUD-20IVZ

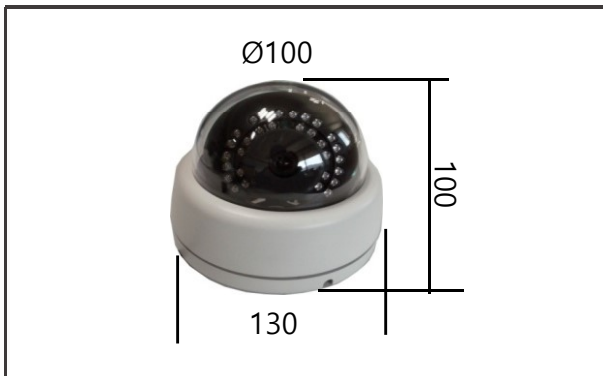
Megapixel	2MP
Processor	Hi3516C
Max. Video Resolution	1920*1080
Image Sensor	1/2.8" SONY IMX322 CMOS sensor
Illumination	Color: 0.01Lux; B/W 0.001Lux, 0lux(IR LEDs on)
S/N Ratio	≥50dB (AGC OFF)
WDR	Adjustable Digital WDR
3DNR	Support
AGC	Support
AWB	Support
Shutter Time	1/25—1/8000s
IR-Cut	Built-in
Lens	2.8

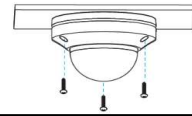
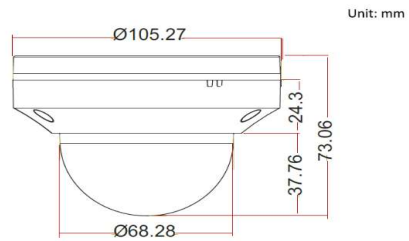
Network Parameter

Video Compression	H.264 Main Profile4.0 & Baseline/MJPEG
Dual Stream	Support
Video Definition	Main stream: 1920*1080, 1280*720 Sub stream: 720*576,640*480,640*352,320*240
Video Frame Rate	up to 25/30fps
Video Bitrate	32Kbps ~ 16Mbps
Title OSD	Supports channel name, date, and video stream information overlay; OSD location is adjustable
Motion Detection	Support
E-mail Alarm	Support
Protocol	HTTP, HTTPS, TCP/IP, RTSP, RTP, UDP, RTCP, SMTP, FTP, DHCP, DNS, DDNS, PPPOE, UPNP, NTP
ONVIF	ONVIF 2.4
MAX. Users	Up to Simultaneous 3 Users
Mobile View	Supports Android, Windows Mobile, Symbian, iPhone platforms smartphone monitoring
Center Software	Free CMS
POE	Optional(IEEE 802.3af)
Other Features	Mirror, Flip, LSC, Video Rotation, Antifogging, Anti false color, Anti Trembling, Privacy Mask

Dimensions

unit : (mm)





SUI-6953HD

Mini x3 IP PTZ Dome Camera

Hardware Parameter	
Megapixel	2MP
Image Sensor	1/2.9" 2.0Megapixel CMOS
Max. Video Resolution	1920*1080
Rotation Range	350° horizontal rotation, 90° vertical range, Horizontal speed 80°/sec
Illumination	Color: 0.1Lux; B/W 0.01Lux, 0lux(IR LED on)
S/N Ratio	60dB (Enhanced)
WDR / BLC / AGC	D-WDR(0~255) / BLC & AGC support
Anti Fog / D-Img Stabilize	Support
Shutter Time	1~1/8000s
IR LED / IR-Cut	IR Distance of 20M / Built-in
Lens	f2.8~8.0mm(X3)
Network Parameter	
Video Compression	H.264Main Profile Encodin, MJPEG / JPEG baseline encoding
Dual Stream	Support
Video Definition	Main stream: 1920*1080, 1280*960, 1280*720,720*576,720*480,640*480 Sub stream: 640*480,480*360,352*288, 320*240, 176*144
Video Frame Rate	3,5,10,15,20,25,30fps
Video Bitrate	128Kbps ~ 5120Kbps
Title OSD	Supports channel name, date, OSD location is adjustable
Motion Detection	Support
E-mail Alarm	Support
ONVIF	Support
MAX. Users	Up to Simultaneous 7 Users
Mobile View	Supports Android, Windows Mobile, Symbian, iPhone platforms smartphone
Center Software	CMS
Other Features	Mirror, Flip, LSC, Antifogging, Antifalse color, Privacy Mask, LDC
Ethernet Port	1-Realtek 10/100M adaptive,RJ45 port
General Parameter	
Housing	White Color
Operating Temperature	-20℃ ~ +50℃
Operating Humidity	10 ~ 85%
Power Supply	DC12V/3A / PoE(Optional)
Dimension	105.27(Bottom)*68.28mm(Dome)*73.06mm(H)
Net Weight	1.5KG



SU-IPHMT2-35C

Hardware Parameter	
Megapixel	2MP
Processor	Hisilicon Hi3516CV300
Max. Video Resolution	1920*1080
Image Sensor	1/2.9" SONY IMX323 CMOS sensor
Illumination	Color: 0.1Lux; B/W 0.01Lux, 0lux(IR LED on)
S/N Ratio	50dB-100dB
WDR	Adjustable Digital WDR
3DNR	Support
AGC	Support
AWB	Support
Shutter Time	1/25—1/8000s
IR-Cut	Built-in
IR Parameters	IR Distance of 10M
Lens	3.6/6mm
Network Parameter	
Video Compression	H.265/H.264 Baseline、 Main Profile、 High Profile/ MJPEG
Dual Stream	Support
Video Definition	Main stream: 1920*1080, 1280*720 Sub stream: 720*576,640*480,640*352,320*240
Video Frame Rate	up to 25/30fps
Video Bitrate	32Kbps ~ 16Mbps
Title OSD	Supports channel name, date, and video stream information overlay; OSD location is adjustable
Motion Detection	Support
E-mail Alarm	Support
Protocol	HTTP, TCP/IP, RTSP, RTP, UDP, RTCP, SMTP, FTP, DHCP, DNS, DDNS, PPPOE, UPNP, NTP
ONVIF	ONVIF 2.4
MAX. Users	Up to Simultaneous 10 Users
Mobile View	Supports Android, Windows Mobile, Symbian, iPhone platforms smartphone monitoring
Center Software	Free CMS
Other Features	Mirror, Flip, LSC, Video Rotation, Antifogging, Antifalse color, AntiTrembling, Privacy Mask
Interface Parameter	
Ethernet Port	1-Realtek 10/100M adaptive,RJ45 port
General Parameter	
Housing	White Color
Operating Temperature	-20℃ ~ +60 ℃
Operating Humidity	10 ~ 85%
Power Supply	DC12V/2.5A / PoE(Optional)
Power Consumption	< 5W
Dimension	106*58mm
Net Weight	0.4KG

TCAM-4322WiG

GPS (Assembled Outdoor Case)

“1080p30, Full HD (WiFi + GPS + Micro SD Card) Dome Camera”



SPECIFICATION 1

<u>Camera</u>	Image sensor	1/2.8" Progressive scan CMOS
	Lens type	Auto DC iris, Varifocal lens, IR cut filter
	Lens mount	Board mount
	Zoom	Lens dependent(Digital Zoom Set UP by WiFi)
	Focal length	f= 2.8 ~ 12.00mm
	Maximum aperture ratio	F1.4
	Angle of view	Horizontal : 93.1°(wide) ~ 33.1°(tele), Vertical : 69.0°(wide) ~ 24.4°(tele)
<u>Video</u>	Minimum illumination	0.07Lux (Color 2s with 50IRE)
	Electronic shutter speed	1 ~ 1/30 sec (B/W), 1/25 ~ 1/1,000 sec Color)
	Privacy masking	4 Regions
	Flip mode	Horizontal, Vertical
	Image enhancement	AGC, AE, AWB, TDN, 2D/3DNR, DSS, Digital-WDR,BLC
	Compression	H.264, MJPEG
<u>Video</u>	Frame rate(Max.)	Max 30fps @ 1920x1080
	Bitrate	Primary: 32Kbps ~ 16Mbps, Secondary: 32Kbps ~ 4Mbps
	Resolutions	176x128 ~ 1920x1080
	Streaming	Primary : H.264, Secondary : H.264/MJPEG
	Burn-in OSD	English, Japanese (Selectable)

Built in 2 Fans

Built in WiFi

SD Card Slot

Power LED

Built In Power Adaptor

KEY FEATURE

- Max. 30FPS @ 1920 x 1080(Adjustable)
- FPS:1,2,3,4,5,6,8,10,15,20,25FPS
- Resolution:1920x1280,1280x1024,1280x960x1280x720,etc.)
- IP66 with Built in 2 Fans
- Built in Adaptor (110V AC Input DC12V Output)
- GPS Support (Receiving Time from Satellite)
- WiFi Support
- D-WDR(Digital Wide Dynamic Range)
- SD Card Slot (Up to 128GB Support)
- Recoding Mode: Motion Detection, Continuous, etc
- Privacy Masking: 4 Regions

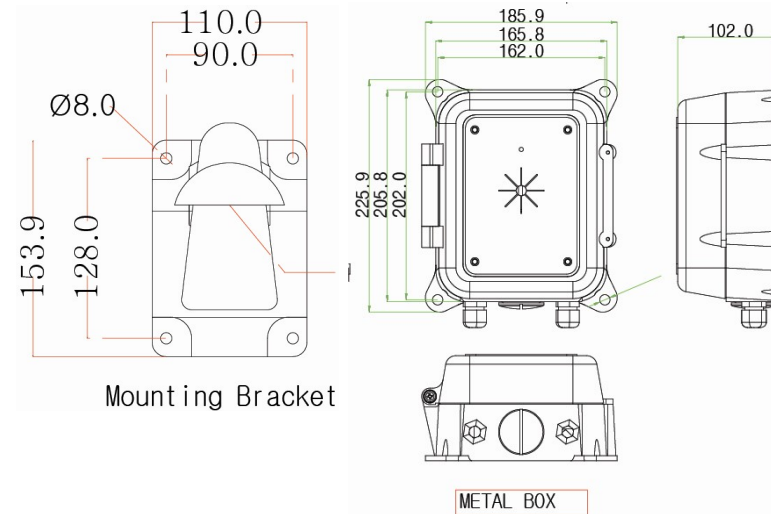
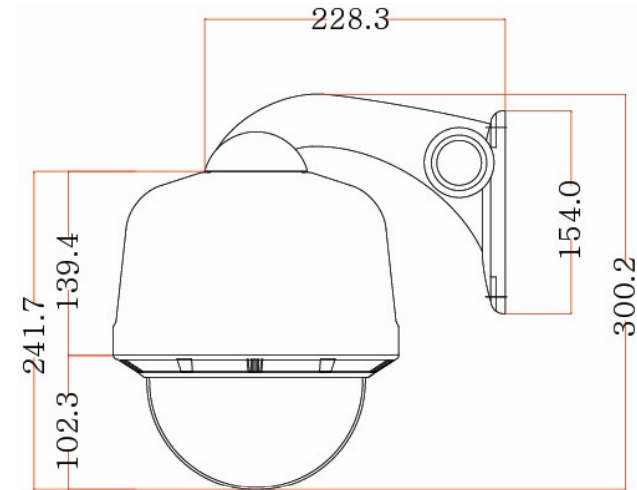
TCAM-4322WiG

“1080p30, Full HD (WiFi + GPS + Micro SD Card) Dome Camera”

DIMENSIONS (UNIT : mm)

SPECIFICATION 2

Network (Wi-Fi)	Wireless LAN	IEEE802.11b/g
	Wireless Speed	IEEE802.11g : 54Mbps(Max.) / IEEE802.11b : 11Mbps(Max.)
	Wireless LAN Security	WEP(128/64bit), WPA-PSK(TKIP/AES) WPA2-PSK(TKIP/AES), WPA/WPA2 Mixed((TKIP/AES)
	Camera Security	Password protection, IP address filtering, HTTPS encryption
Event	Event sources	SD Card Recording
	Event actions	Stop Recording: LED Off , Recording On: LED On
General	Housing	Vandal Proof Dome, IP66
	Certifications	CE, FCC, KC, RoHS
	External devices	1 x Sensor-In (dry contact, NO/NC): Available 1 x Alarm-Out (dry contact, NO): RED LED 1 x RS-485 port : GPS
	Edge storage	Micro SD(SUPPORT 64GB)
	Power supply / Power Consumption	Built in Adaptor(100V -220V AC / DC12V Out) 1.5A DC12V : Max.0.6A / 7W
	Operating condition	-10°C ~ 50°C / 30% ~ 90% RH
	Dimension (Without Bracket)	216.8mm(Diameter) x 289.2(Height) mm
	Weight (About)	4Kgs(Including Wall Mount Bracket)



IP IR Bullet Camera

2M, H.264, 54IR

SUB-20BVIRe

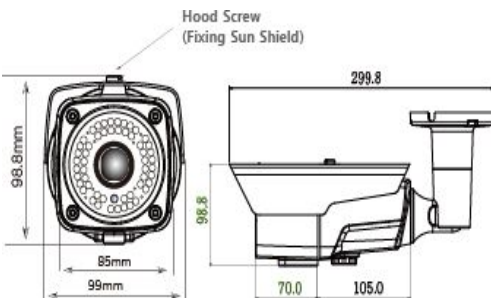
◆ Picture



◆ Feature

- 1/2.8" Sony 2.43M Pixels Exmor CMOS
- High Performance Dual Streaming (30fps live view@1080P)
- Low up to 0.01Lux(LED On:0Lux), Noise Reduction (2D/3D)
- Day/Night with ICR, 54 IR(IR Distance 30m)
- 2.8~12mm Mega Pixel DC Auto Iris Lens
- Motion Detection (4), Privacy Masking (8), Digital Zoom (16x)
- Defog, DWDR, HLC, LDC (Lens Distortion Correction)
- IP (66)
- ONVIF, DDNS, DHCP, CMS, Web Browser, Smart Phone
- Power In: DC12V & POE

◆ Dimensions



◆ Specifications

MODEL	SUB-20BVIR
Video	
Image Sensor	1/2.8" 2.43M Sony Exmor CMOS
Scan mode	Progressive Scan
Number of effective pixels	1984(H) × 1225 (V), 2,43M
Minimum illumination	0.01Lux(F1.2), LED On:0Lux
Day & Night	Day & Night with ICR (TDN)
S/N Ratio	More than 54dB (AGC Off)
Lens	
Lens	2.8 ~ 12mm MP Varifocal Lens H(92.9°-31.7°), V(67.9°-23.7°)
Iris	DC Auto Iris
Network	
Video Compression	H.264, MJPEG
H.264 Profile	Baseline/Main/High Profile
Ethernet	RJ-45(10/100BASE-T)
Frame Rate	1920x1080(Full-HD), 1280x1024(SXGA), 1280x720(HD), 704x480(4CIF/NT), 704x576(4CIF/PAL), 640x480(VGA), 352x288(CIF), 320x240(QVGA)
Video Frame Rate	Up to 30fps@1920x1080p
Bitrate Control	CBR or VBR(100K~12Mbps)
Audio	Audio In(1), Audio Out(1), 8 bit PCM (G711 u-law) 8Khz, Mono
Memory SD Slot	Option
Recording (SD)	Continuous / Event (Motion, Trigger, Alarm)
Event	Alarm In: Onboot/Trigger/Network Loss/Tampering/Motion Event Output : E-mail, FTP
Client Viewer	Web viewer, Max-i CMS
Max. User Connection	10 Users
Network Protocol	TCP/IP, UDP, IPv4/v6, HTTP, HTTPS, FTP, UPnP, RTP, RTSP, RTCP, DHCP, ARP, Zeroconf, PPPoE, Onvif
Function	
Auto White Balance Mode	ATW-Indoor/Outdoor, Shade, Clear sky, Fluorescent light, Light bulb, Flame, Manual
Auto Exposure Mode	Automatic (Priority: Frame rate/Low noise), Manual
Gain Control	Automatic, Manual: Min. 1.2dB ~ Max. 54dB, Default 1.2dB
DNR	Off / Level Setting
Back Light	HLC, BLC, DWDR(ATR-EX)
Defog/LDC/Mirror/Flip	On/ Off
Privacy / Motion	8 Zones / 4 Zone
Alarm	Option
IR Range	30m (54 IR LEDs)
Environment	
Operating Humidity	30 % ~ 90 % RH
Operating Temp.	-10°C~50°C
Electrical	
Power Consumption	Max 6.0W(PoE)
Power Supply	DC12V±10,
Mechanical	
Construction	Aluminum Body, Acrylic window
Dimension	352(L)X99(W)X98.8(H)mm
Weight	About 1.3Kg